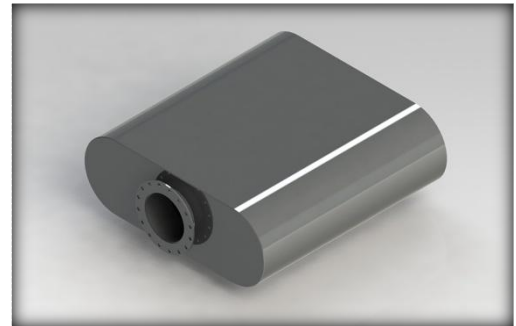


The RSH, Hospital grade rectangular silencers are best suitable for applications where a high level of sound attenuation is required. These silencers are excellent choices for housed applications where available space is limited and exhaust system heat rejection must be minimized. Typical sound attenuation for this grade is in the range of 33 to 40 dB(A) on diesel and gaseous fueled reciprocating industrial engines. These silencers are readily available with a multitude of options to meet your specific needs.



RSH shown in 316 stainless

Standard Features

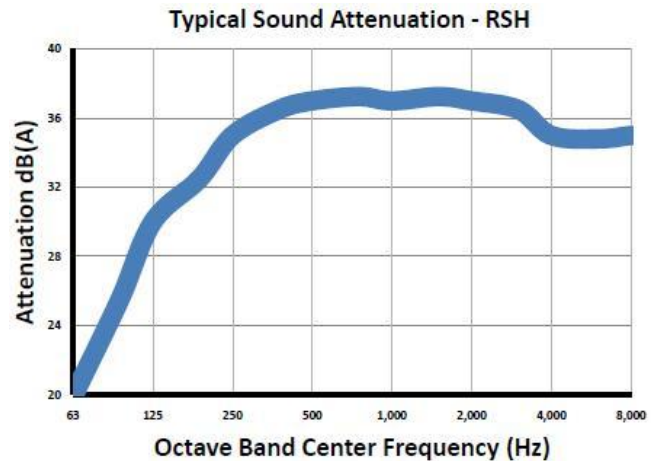
- Continuously welded heavy duty steel construction
- Internally insulated with 2" insulation on all shell surfaces
- ANSI 125/150# flanges
- Four standard mounting lugs
- High temperature black finish – rated to 1000F

Optional Features

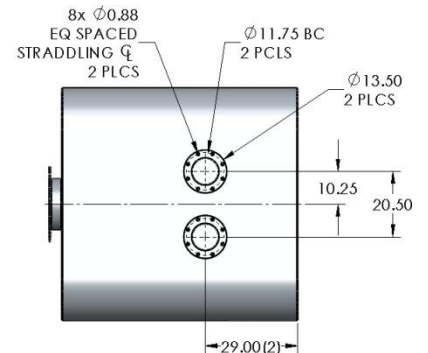
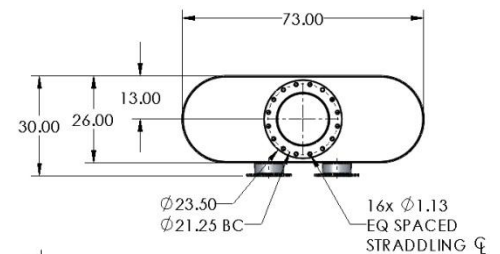
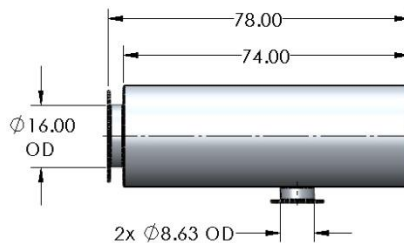
- Dual Inlets – special orientation to optimize installation fit-up
- Spark Arresting chamber
- ISO container top mount design
- Special flanges and port connections
- Support structures and brackets

Material & Finishing options available

- Metallized Aluminum Spray Coat Finish with 100% protected outer surfaces
- High Performance paint options
- External Insulation - High-Temp Silicone Impregnated Canvas
- Stainless Steel – 304, 316, 321



RSH - 16



www.bergari.com

Main Office: 651-423-7128

Mobile: 651-270-6817

Sales@bergari.com

Bergari Solutions, LLC
2605 160th St. W., #109
Rosemount, MN 55068

Bergari Solutions LLC also offers a full line of exhaust system accessories of flexes, elbows, adapters and thermal insulation components to provide a complete solution for your application.